

LOW FREQUENCY INSTRUMENTS

HI-3637 VLF Magnetic Field Meter

Broad VLF frequency response (2 kHz - 400 kHz) and wide dynamic range (6 nT - 400 μT) along with the isotropic, True RMS response of the HI-3637 Magnetic Field Meter offers full measurement capability for VLF magnetic fields. Applications from video display terminals (VDT/VDU) to induction heating are accurately monitored by the HI-3637.

Options: gauss and amperes/meter readouts, individual axis monitoring, recorder output, and extended range (100X) probe. Meets IEEE 1140 and Swedish MPR test requirements.



HI-3627 ELF Magnetic Field Meter

The HI-3627 ELF Magnetic field Survey Meter offers extended frequency sensing from 5 Hz - 2000 Hz over a broad range of magnetic field intensities (0.2 mG - 20 gauss). Isotropic, True RMS sensing provides accurate field measurements from any ELF source. This includes single and polyphase electrical circuits, VDT's, household wiring, appliances, and power lines. Meets IEEE 1140 and Swedish MPR test requirements.

The HI-3627 remote sensor and True RMS responding readout make quick, accurate work of analyzing ELF magnetic fields. Options include tesla and amperes/meter scales, individual axis monitoring and a recorder output.



HI-3624(A) ELF Magnetic Field Meter

Low cost, wide frequency response and extended dynamic response characterize the HI-3624(A) ELF single axis magnetic field meter. The selectable low frequency cutoff offers frequency response down to 5 Hz while a 30 Hz cutoff is available for stable hand-held readings from 50/60 Hz sources. An upper frequency response of 2000 Hz and a broad dynamic range (0.2 mG - 20 G) provide our affordable ELF measurement solution with traceable accuracy and easy operation.

The standard configuration (HI-3624) has a single frequency-response characteristic (30 Hz - 2000 Hz). The remote sensor allows determination of field orientation.



HI-3603 Survey Meter

Combined electric and magnetic field sensing (single axis), digital readout/bar graph displays data logging, selectable magnetic field units (gauss, tesla, amperes per meter), and waveform output are featured on the HI-3603 VLF Electric and Magnetic Field Survey Meter. Optional optically isolated Remote Readout/Control or RS232 Optical Modem allows remote indication or data collection. Unit comes complete with dielectric handle, batteries, user manual and fitted carrying case.

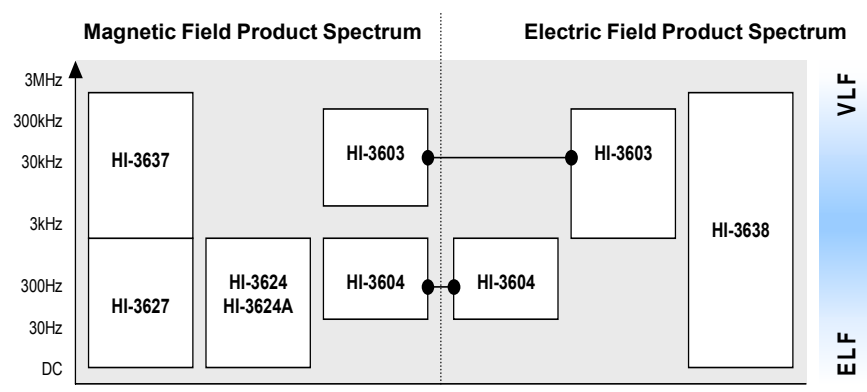
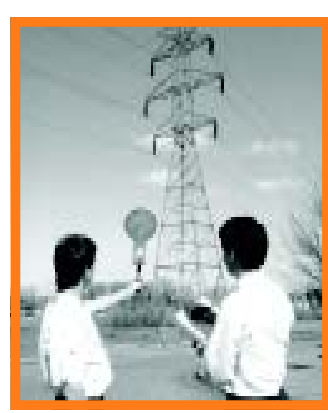
Electric fields: 2 kHz -300 kHz, 1 - 2000 V/m
Magnetic fields: 8 kHz - 300 kHz, 1-2000 mA/m



HI-3604 Survey Meter

The HI-3604 ELF Electric and Magnetic Field Meter is designed to evaluate both electric and magnetic fields associated with 50/60 Hz power lines, line-powered equipment and appliances, video display terminals, etc. It provides the industrial hygienist, engineer and safety professional with a sophisticated tool for accurate investigation of power frequency environments. The HI-3604 also offers all the operational features described for the HI-3603.

Frequency range: 30 Hz - 2000 Hz,
Electric fields: 1 V/m - 200 kV/m
Magnetic fields: 0.2 mG - 20 G.



HI-3638 VLF/ELF Electric Field Meter

Measure electric fields in full compliance with IEEE and MPR requirements over the extended ELF/VLF frequency range (5 Hz - 400 kHz; MPR Bands I and II) in a single unit. The HI-3638 sensor is optically isolated from the HI-4416 Digital Readout (included) or either the optional HI-4460 Graphical Readout or HI-4413P Optical Modem. Up to 300 meters of optical cable may separate the sensor and readout.

Dynamic range: 1 - 40,000 Volts/meter in four ranges



*Tripod Optional

Optional Interfaces

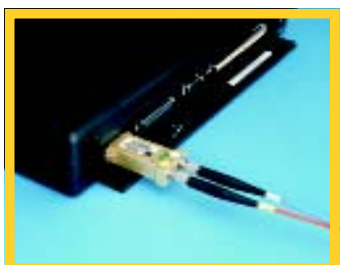
HI-4460 Graphical Display

The HI-4460 Graphical Display provides enhanced viewing and data logging capabilities for the HI-3638 Electric Field Meter. Data can be viewed real-time or post-measurement, as well as uploaded into a PC for analysis with ProbeView™ software.



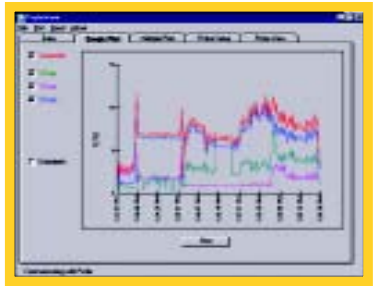
HI-4413P/RS232 Serial Communication Adapter

The HI-4413P Fiber Optic Modem converts the optical signal from the HI-3638 Electric Field Meter to an RS232 compatible signal. This allows quick and easy data gathering from the field sensors on a continual basis. The unit is powered from the computer, allowing for total portability as well as ease of setup and operation. The HI-4413P makes it possible to gather data in the field using a portable computer.



ProbeView™

EMF control and analysis software allows for remote and real time operation, data collection and viewing of EMF measurements. Provides real-time and logged data collection and display. Complete data information can be imported into spreadsheet format and is portable to custom software applications.



PRODUCTS LINES

Broadband RF

Holaday manufactures full range of survey instruments for monitoring human exposure to radiofrequency electromagnetic fields. Electric and magnetic field probes connect to a broad selection of readout and display devices and monitor field exposures from 10 kHz to greater than 40 GHz. Special purpose instruments measure induced body currents and offer personal monitoring of workplace environments.

Providing assistance to health and safety professionals for more than 35 years, Holaday is in the forefront of EMF safety. In addition to a comprehensive line of instruments, accessories and services for EMF radiation hazard markets, we offer a world-class calibration facility and an application engineering staff that can provide for your specialized needs.

Low Frequency

We offer a wide assortment of survey and monitoring instruments specifically designed to measure the complex electric and magnetic fields. Sources include high voltage power lines, computer monitors, televisions, home appliances, and other electrical power equipment. VLF instruments monitor electric and magnetic fields up to 400 kHz for a wide range of industrial applications which use electromagnetic energy. Options include single axis or isotropic readings, data logging, digital or analog data displays, fiber optic control for remote monitoring, analysis software, etc.

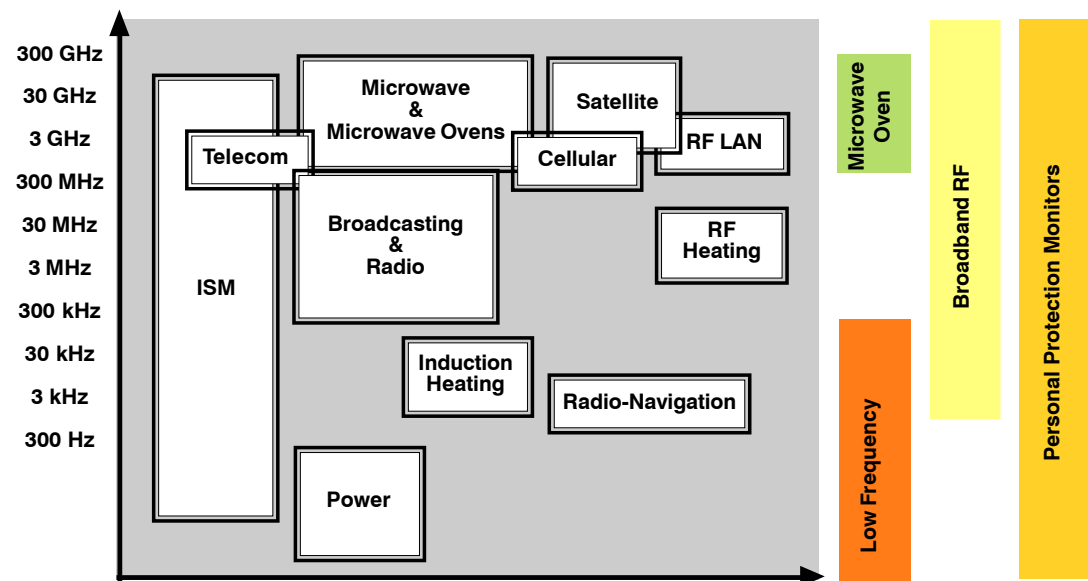
Personal Protective Equipment (PPE)

Holaday helps health and safety professionals monitor the workplace for high EMF levels with a variety of innovative products. Portable personal monitors can be worn in a pocket or belt, area monitors provide continuous surveillance over any critical area requiring protection of personnel or equipment, and RF protective clothing provides the best means to minimize radiofrequency RF exposure. RF signage is available to provide proper notice of possible hazards for broadcast, telecommunications, and industrial process areas.

Microwave Oven

Our microwave oven survey instruments encompass products from handheld leakage meters to production line automatic testing and stand-alone calibration systems. Our equipment provides the accuracy required by oven manufacturers, service technicians, regulatory agencies, and public health officials.

Holaday provides a full service calibration and repair facility for all its products, offering customers the assurance that their instruments will always be available when needed for accurate and reliable measurements.



Our Services

Basic Training

Holaday provides training in all aspects of electromagnetic field measurement and safety. Training is tailored to the unique needs of the customer. Topics cover relevant physical principles, human body interactions with electromagnetic fields, explanations of various safety standards, and examples on how to determine compliance to these standards. The EM spectrum from DC to over 40 GHz is examined complete with instrument demonstrations to help reinforce the classroom work with practical field examples.

Field and Technical Support

Holaday provides support for those currently making measurements who need application help for their particular situation. We can help if you need assistance correlating instrumentation measurements and compliance assurance. This level of service can often be provided over the phone through support from Holaday's application engineering staff or using our web site. On the web site you will find reference materials and application notes ready to download to your PC.

Phone support is provided to our customers at no charge and covers the complete Holaday product range, including how our products can be used to monitor compliance.

Full Service Compliance Testing

Holaday offers a full service testing program to guide you in determining compliance.

This service incorporates Site Surveying, Measurement and Data Collection and Analysis, and Complete Test Reports detailing ambient EMF levels. Reports identify potentially hazardous or non-compliant areas, and offer recommendations, if necessary, to aid you in getting your site back into compliance. Assistance on needed equipment (RF Safety Signage, Personal Protective Equipment for workers, etc.) is available.

About ETS-Lindgren

ETS-Lindgren is the proven world leader for components and systems that measure, shield and control electromagnetic energy. We provide solutions for EMI/RFI/EMF test and measurement applications as well as medical, industrial and governmental RF shielding requirements. Our product line ranges from simple bench-top diagnostic tools to fully integrated turnkey facilities.

Recently, ETS-Lindgren acquired Holaday Industries and their product line of quality EMF measurement probes and probe calibration services. Holaday probes are now manufactured by ETS-Lindgren and Holaday's probe calibration services have been added to our own broadening service capabilities.

As part of ESCO Technologies Corporation, ETS-Lindgren has the financial strength to meet our commitments, both today and tomorrow. A leading supplier of engineered products for growing industrial and commercial markets, ESCO is a New York Stock Exchange listed company (symbol ESE) with headquarters in St. Louis, Missouri.

US

1301 Arrow Point Drive
Cedar Park, Texas 78613
+1.512.531.6400 Phone
+1.512.531.6500 Fax
info@ets-lindgren.com

UK

Boulton Road
Pine Green Industrial Area
Stevenage Herts, SG1 4TH
United Kingdom
+44.(0)1438.730700 Phone
+44.(0)1438.730751 Fax
info@ets-lindgren.co.uk

Singapore*

87 Beach Road
#06-02 Chye Sing Building
Singapore 189695
+65.6536.7078 Phone
+65.6536.7093 Fax
Lrfesin@singnet.com.sg

China

1917-1918 Xue Zhixuan Building
No. 16 Xue Qing Road
Haidian District
Beijing P.R.C 100083
+8610.8275.5086 Phone
+8610.8275.5503 Fax
infochina@ets-lindgren.net

* Sales offices only

Finland

Mekaanikontie 1
FIN-27510, Eura Finland
+358.2.8383.300 Phone
+358.2.8651.233 Fax
info@ets-lindgren.eu.com

France*

Centre D'Affaires Paris Nord
Batiment Ampere
93153 Le Blanc Mesnil France
+33.1.48.65.34.03 Phone
+33.1.48.65.43.69 Fax
LRP.france@wanadoo.fr

Japan

4-2-6, Kohinata, Bunkyo-ku
Tokyo, 112-0006 Japan
+81.3.3813.7100 Phone
+81.3.3813.8068 Fax
info@ets-lindgren.com.jp

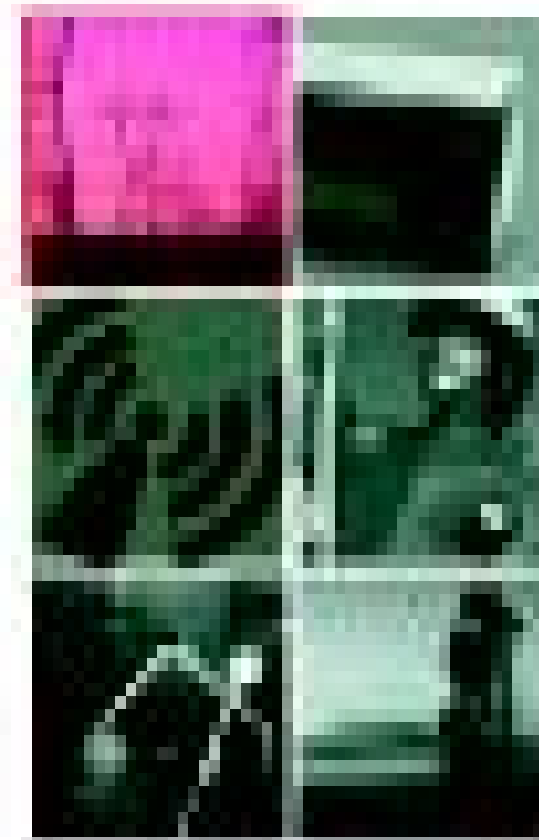
Brazil*

Centre D'Affaires Paris Nord
Batiment Ampere
93153 Le Blanc Mesnil France
+33.1.48.65.34.03 Phone
+33.1.48.65.43.69 Fax
LRP.france@wanadoo.fr

ETS-LINDGREN
HOLADAY EMF MEASUREMENT
www.ets-lindgren.com

Information presented is subject to change as product enhancements are made. Contact the ETS-Lindgren Sales Department for current specifications. 10/02 5k W © 2002 ETS-Lindgren. REV A

EMF SAFETY MEASUREMENT SYSTEMS LOW FREQUENCY



ETS-LINDGREN
HOLADAY EMF MEASUREMENT