



AUDIOMETRIC SOLUTIONS

EXAMINATION BOOTHS AND SUITES
SCREENING BOOTHS
ENGINEERING SERVICES



Acoustic Expertise

For more than 40 years, ETS-Lindgren/Acoustic Systems has provided superior sound isolation solutions for audiology and related research.

In addition to our in-house expertise, we have a comprehensive network of local sales and service experts. This local presence ensures our clients receive quick service, support, and maintenance.

WHY PURCHASE FROM ETS-LINDGREN/ACOUSTIC SYSTEMS

SUPERIOR QUALITY

ETS-Lindgren/Acoustic Systems is an ISO 9001:2008 Certified Company, meaning our products are produced in strict accordance with quality standards. This attention to quality ensures that the product you receive has been manufactured and tested to the highest standards. Our booths and suites are made of steel construction with gypsum and acoustic insulation, which provides optimum sound isolation and absorption.

PRODUCT SELECTION

ETS-Lindgren/Acoustic Systems has a diverse audiometric product line, allowing our clients to select which size and feature package they need for their individual project.

These products come in a wide variety of colors, trims and finishes to match any interior decor, so aesthetics are not sacrificed for performance.

STABILITY

As part of ESCO Technologies Inc., we also have the financial strength to meet our commitments, both today and tomorrow. A leading supplier of engineered products for growing industrial and commercial markets, ESCO is a New York Stock Exchange listed company (symbol ESE) with headquarters in St. Louis, Missouri.

CORPORATE RESPONSIBILITY

From audiometric-related charitable contributions to incorporating green materials into our products, corporate responsibility is a large part of our corporate culture.



In-House Test and Design

Our in-house manufacturing and testing facilities provide the ability to test a full-size audiometric exam suite, entirely inside of a reverberation chamber. One of several large chambers used by ETS-Lindgren's NVLAP accredited acoustic lab (Lab Code 100286-0), the measured data from whole system testing provides a more realistic expectation of the actual performance customers can anticipate from their booth installation as compare to "typical" performance data that is extrapolated from separate measurements of individual components (doors, walls, etc.). Additionally, whole system testing is required per the applicable test standards.

Excellent Performance; Enhanced Patient Experience

ETS-Lindgren/Acoustic Systems Audiometric Test Booths and Suites feature a wide variety of options, with many featured as standard equipment. From SoundSecure™ Acoustic Doors and Windows to lighting packages, these options provide improved sound isolation, better ease-of-use, and an overall enhanced patient experience.

PRODUCT FEATURES

SUPERIOR ACOUSTIC ISOLATION

ETS-Lindgren/Acoustic Systems products are produced to perform to the highest standards available. Our AS-A504 acoustic panel will provide you years of use, while maintaining excellent acoustic isolation.

SOUNDSECURE ACOUSTIC DOORS

All of our booths and suites feature our SoundSecure Doors. These doors ensure proper sound isolation performance, yet are easy to operate for quick patient access.

As the most critical component of any sound isolation system, SoundSecure doors feature a double magnetic seal, heavy duty hinges, and compression thresholds.

SOUNDSECURE ACOUSTIC WINDOWS

SoundSecure Acoustic windows are produced from double-glazed, laminated safety glass. Mounted in heavy-gauge steel frames with rubber compression seals free of plastic inserts, the SoundSecure Acoustic Window offers excellent acoustic isolation, with the convenience of patient viewing.

ACOUSTIC FLOOR SYSTEM

Many of our booths and suites offer a low-profile, sound and vibration isolated floor system. This lower threshold allows easier patient entry into the testing environment, while maintaining excellent acoustic performance.

DURABLE POWER COAT FINISH

All ETS-Lindgren/Acoustic Systems Booths and Suites feature a durable powder coat finish. This scratch-resistant finish allows for years of use, while maintaining its attractive appearance. Additionally, our powder coat materials are environmentally friendly.

CEILING SOFFIT

For a cleaner line-of-sight, many of our products feature a ceiling soffit to obscure roof-top ventilation and electrical connections.

VARIABLE SPEED AMBIENT AIR CIRCULATION SYSTEM

An enhanced ambient air circulation system provides variable speed operation with reduced noise and increased patient comfort.

ILLUMINATION SYSTEMS

All booths and suites come standard with an integrated illumination system. This lighting system provides a bright environment for both test setup and patient testing.

LED illumination is available as an option on many of our booths and suites.

DESIGNER TREATMENTS

Our booths and suites are designed to blend seamlessly into your patient environment. Attractive exteriors, carpeting and decorative trim provide for a contemporary designer touch.

Platinum is our standard exterior color, with other exterior colors available as an option. Window trim colors complement the exterior color, with optional colors available.

PRE-WIRED JACK PANEL WITH CABLE PASS-THRU

Our pre-wired panel reduces the sound path to the booth interior, resulting in higher panel isolation performance and a quieter interior. Multiple connectors accommodate all modern test equipment requirements.

CONVENIENCE OUTLET

Most booths and suites feature interior and exterior electrical outlets. For added convenience, optional recessed conduit drops (data, phone, alert, etc.) are also available for most models.



Ceiling Soffit Provides a Cleaner Line of Sight



Pre-wired Jack Panel with Cable Pass-thru for Better Performance

Maintenance Services

Periodic maintenance pays for itself in reduced downtime and unexpected expense. Our extensive network of local sales and service representatives are available to provide ongoing maintenance support for the life of your booth.

ENGINEERING AND PRODUCT SERVICES

CONSULTING SOLUTIONS

ETS-Lindgren/Acoustic Systems is the expert in isolating acoustic energy. We work with your local systems integrator, architects, engineers, and you to produce the best acoustic solution possible.

We partner with these professionals to promote project accuracy and seamless integration into the host facility, reducing the potential for costly delays.

CUSTOM PRODUCT DESIGNS

The ETS-Lindgren/Acoustic Systems product line offers many diverse choices in sizes and feature packages, however sometimes a custom solution is necessary. We have the experience and expertise to design and construct custom solutions that will meet the precise needs of your testing facility.

BOOTH/SUITE RELOCATION

Whether you are moving a few hundred feet or hundreds of miles, our local network of sales and service experts provide relocation services customized to fit your needs.



Features:

- Ships Pre-assembled
- Pre-wired Jack Panel
- Acoustic Floor with Two Locking and Two Non-locking Casters
- Switch-activated LED Illumination System
- Acoustically Engineered Ventilation
- SoundSecure Patient Viewing Window
- SoundSecure Acoustic Door
- Carpeting with Cove Base Trim
- 366 cm (12') Low Voltage Power Supply Cord
- Folding Shelf

SINGLE PERSON “MINI” SCREENING BOOTHS

“Mini” Screening Booths provide a self-contained environment for hearing conservation programs. These screening booths are shipped pre-assembled with floor-mounted casters for mobility. The space efficient design fits through most office doors.

For consistent testing environments, Models RE-125 and RE-126 are produced using 5 cm (2”) thick panels. For testing environments with inconsistent ambient conditions, the RE-130 provides a higher degree of noise reduction with 8 cm (3”) thick panels.

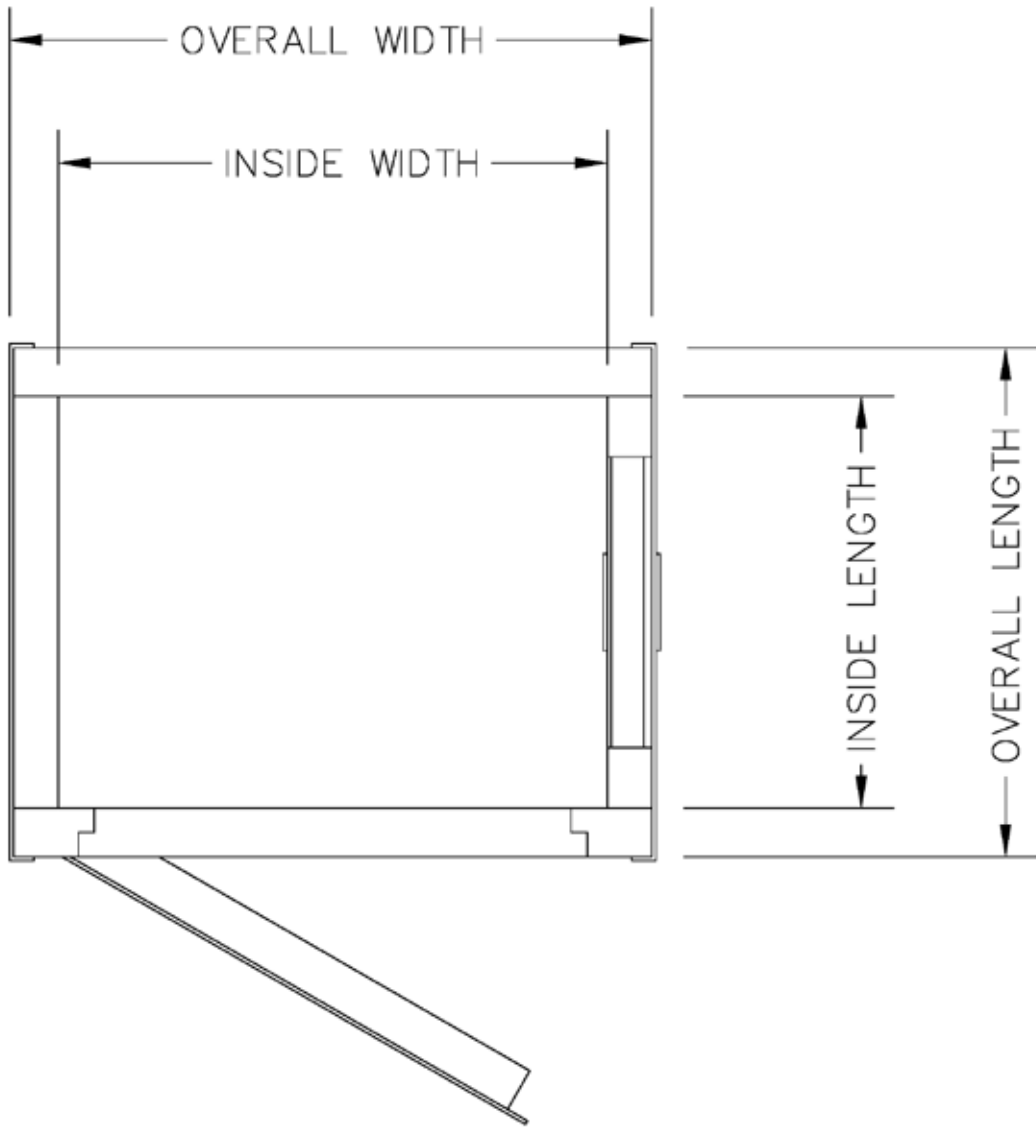
Acoustic Performance

Noise Reduction ¹	Center Frequency (HZ)							
	125 Hz	250 Hz	500 Hz	1000 Hz	2000 Hz	4000 Hz	8000 Hz	NIC
Mini Booths (dB)	11	31	33	41	48	49	46	39
Max. Permissible Noise Levels from Ventilation ²	Center Frequency (HZ)							
			500 Hz	1000 Hz	2000 Hz	4000 Hz	8000 Hz	
SPL (dB)			19.5	26.5	28.0	34.5	43.5	

¹ Noise reduction from outside to inside of a properly installed booth in accordance with ASTM E-596-96.

² ETS-Lindgren/Acoustic Systems warrants the maximum octave band sound pressure levels shall not exceed ANSI S3.1 ears covered levels for a test frequency range of 125 Hz to 8000 Hz, provided the booth has been selected appropriately with consideration of the noise and vibration levels of the host environment.





Specifications

Model	Interior Dimensions (W x L x H)	Exterior Dimensions (W x L x H)	Weight
RE-125	71 cm x 91 cm x 165 cm 2' 4" x 3' 0" x 5' 5"	102 cm x 81 cm x 201 cm 3' 4" x 2' 8" x 6' 7"	374 kg 825 lb
RE-126	86 cm x 61 cm x 165 cm 2' 10" x 2' 0" x 5' 5"	99 cm x 74 cm x 201 cm 3' 3" x 2' 5" x 6' 7"	318 kg 700 lb
RE-130	66 cm x 86 cm x 165 cm 2' 2" x 2' 10" x 5' 5"	102 cm x 81 cm x 201 cm 3' 4" x 2' 8" x 6' 7"	397 kg 875 lb

Features:

- Single Wall Design
- Pre-wired Jack Panel with Cable Pass-thru
- Acoustic Floor
- Switch-activated LED Illumination System
- Acoustically Engineered Roof-mounted Ventilation
- SoundSecure Patient Viewing Window
- SoundSecure Acoustic Door with Window
- Carpeting with Cove Base Trim
- Hospital-grade Recessed Electrical Devices

SINGLE WALL SCREENING BOOTHS

Single Wall Screening Booths are ideal for screening environments where a fixed booth is desired, the ambient conditions dictate increased attenuation, or clinical testing may be required.

The RE-140 and RE-141 booths are constructed with our standard AS-A504 10 cm (4") thick wall panels, which provide impressive isolation, as well as several other features which are considered optional by other manufacturers.

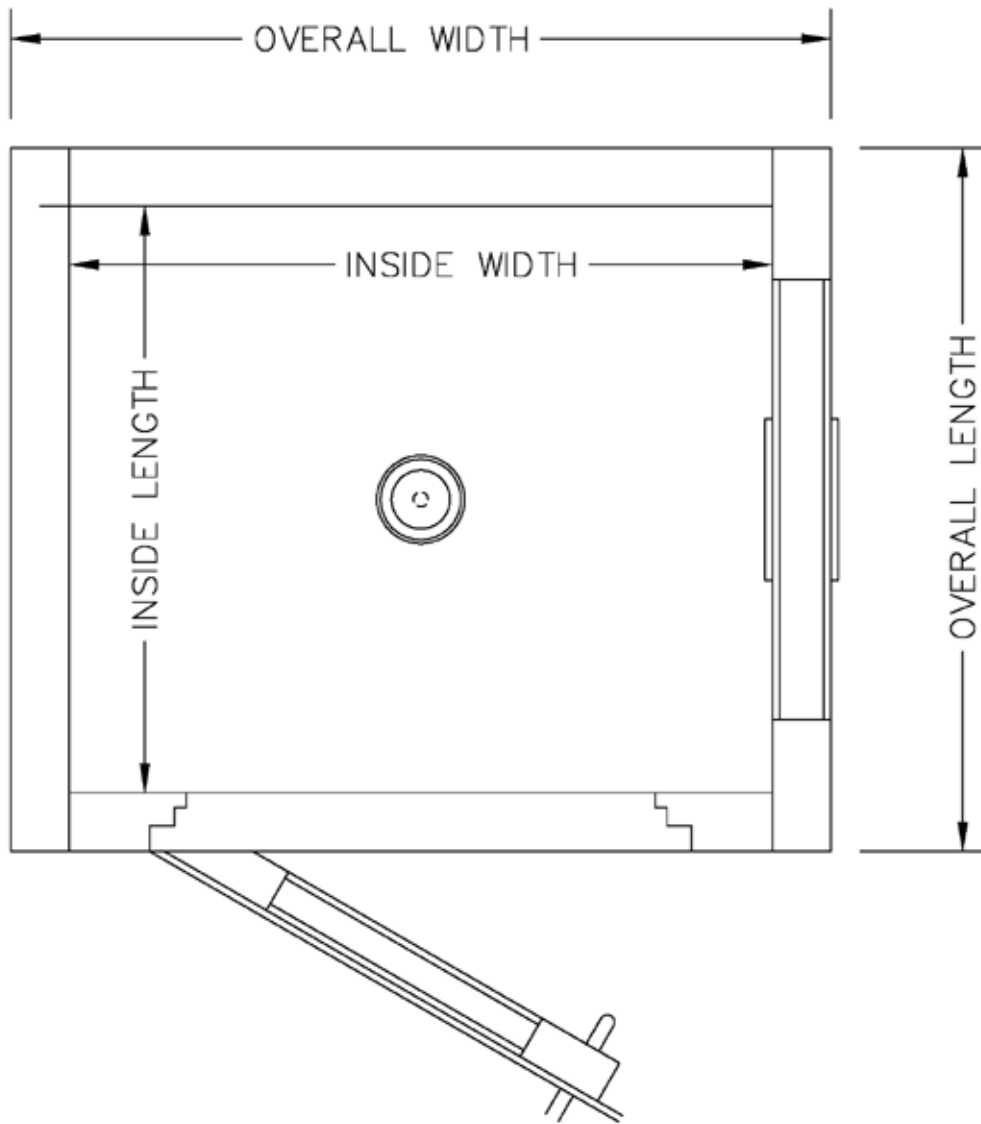
Acoustic Performance

Noise Reduction ¹	Center Frequency (HZ)							
	125 Hz	250 Hz	500 Hz	1000 Hz	2000 Hz	4000 Hz	8000 Hz	NIC
Single Wall Booths (dB)	24	32	42	49	55	57	55	44
Max. Permissible Noise Levels from Ventilation ²	Center Frequency (HZ)							
	125 Hz	250 Hz	500 Hz	1000 Hz	2000 Hz	4000 Hz	NRC	
Absorber Coefficient	.08	1.08	1.10	1.02	1.04	1.00	1.05	

¹ Noise reduction from outside to inside of a properly installed booth in accordance with ASTM E-596-96.

² Sound absorption coefficients measured in accordance with ASTM C423-84a.





Specifications

Model	Interior Dimensions (W x L x H)	Exterior Dimensions ³ (W x L x H)	Weight
RE-140	102 cm x 91 cm x 198 cm 3' 4" x 3' 0" x 6' 6"	122 cm x 112 cm x 228 cm 4' 0" x 3' 8" x 7' 5 5/8"	748 kg 1,650 lb
RE-141	122 cm x 102 cm x 198 cm 4' 0" x 3' 4" x 6' 6"	142 cm x 122 cm x 228 cm 4' 8" x 4' 0" x 7' 5 5/8"	839 kg 1,850 lb

³Exterior height includes roof-mounted ventilation system. Other options are available if host space cannot accommodate overall height. Please allow a minimum of 10 cm (4") clearance between booth and host walls.

Features:

- Single Wall Design
- Pre-wired Jack Panel with Cable Pass-thru
- Low-profile Acoustic Floor System
- Switch-activated LED Illumination System
- Acoustically Engineered Roof- or Wall-mounted Ventilation
- SoundSecure Patient Viewing Window
- SoundSecure Acoustic Door with Window
- Carpeting with Cove Base Trim
- Hospital-grade Recessed Electrical Devices

MULTI-CONFIGURABLE (MC) TEST BOOTHS

The MC Series Audiometric Test Booths are booths constructed of interchangeable panels for on-site configuration and layout flexibility. The booths can be dismantled, relocated, and rearranged as different needs arise. Doors can be configured to swing in or out. The ventilation silencer can be mounted on either roof or wall, depending on space constraints.

MC Test Booths are constructed with our standard AS-A504 10 cm (4") thick wall panels, which provide impressive isolation, as well as several other features which are considered optional by other manufacturers.

Acoustic Performance

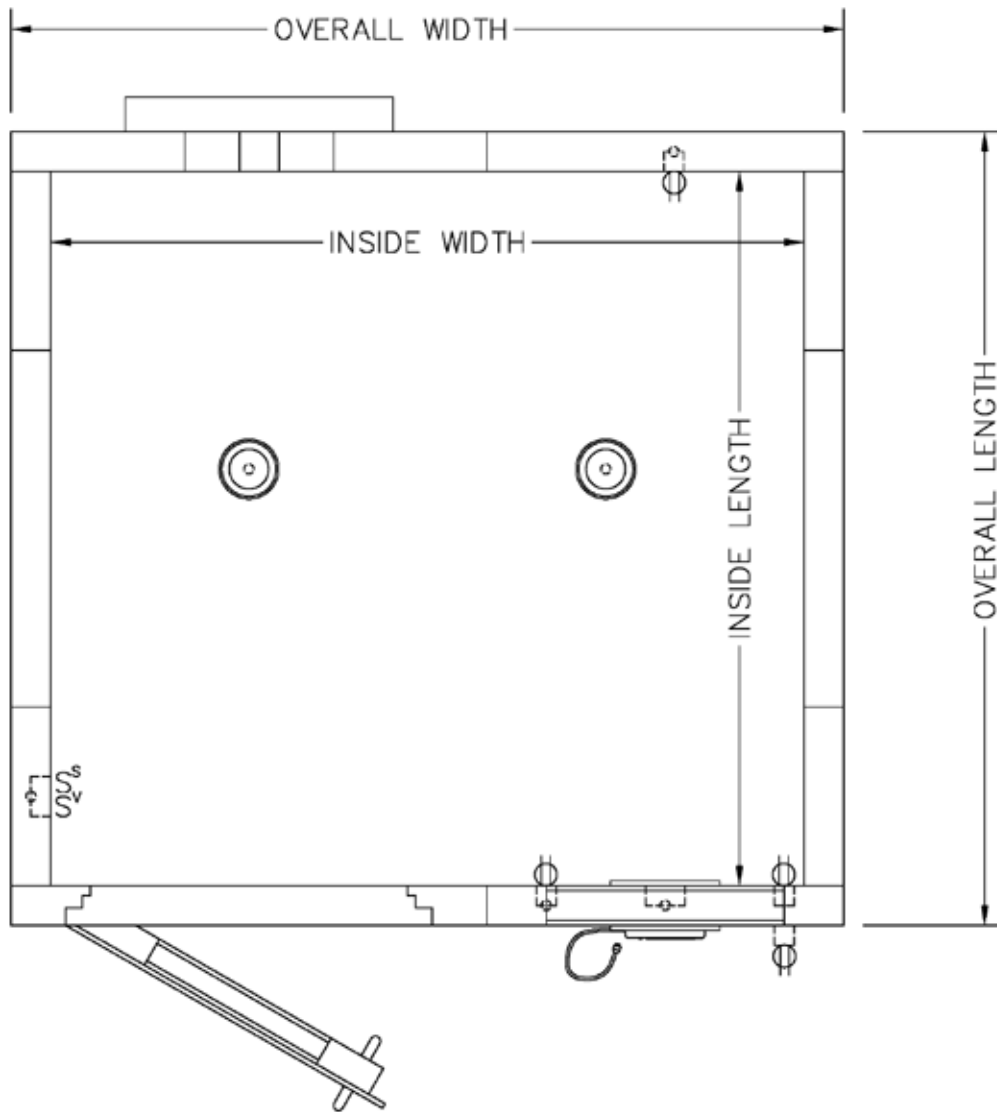
Noise Reduction ¹	Center Frequency (HZ)							
	125 Hz	250 Hz	500 Hz	1000 Hz	2000 Hz	4000 Hz	8000 Hz	NIC
MC Booths (dB)	24	32	42	49	55	57	55	44

Max. Permissible Noise Levels from Ventilation ²	Center Frequency (HZ)						
	125 Hz	250 Hz	500 Hz	1000 Hz	2000 Hz	4000 Hz	NRC
Absorber Coefficient	.08	1.08	1.10	1.02	1.04	1.00	1.05

¹ Noise reduction from outside to inside of a properly installed booth in accordance with ASTM E-596-96.

² Sound absorption coefficients measured in accordance with ASTM C423-84a.





Specifications

Model	Interior Dimensions (W x L x H)	Exterior Dimensions ³ (W x L x H)	Weight
RE-142MC	193 cm x 183 cm x 198 cm 6' 4" x 6' 0" x 6' 6"	213 cm x 203 cm x 248 cm 7' 0" x 6' 8" x 8' 1 5/8"	1,746 kg 3,850 lb
RE-143MC	224 cm x 213 cm x 198 cm 7' 4" x 7' 0" x 6' 6"	244 cm x 234 cm x 248 cm 8' 0" x 7' 8" x 8' 1 5/8"	2,109 kg 4,650 lb
RE-146MC	193 cm x 122 cm x 198 cm 6' 4" x 4' 0" x 6' 6"	213 cm x 142 cm x 248 cm 7' 0" x 4' 8" x 8' 1 5/8"	1,383 kg 3,050 lb

³Exterior height includes roof-mounted ventilation system. Other options are available if host space cannot accommodate overall height. Please allow a minimum of 10 cm (4") clearance between booth and host walls.

Features:

- Single Wall Design
- Clinical Jack Panel with Cable Pass-thru
- Acoustic Floor
- Switch-activated LED Illumination System
- Acoustically Engineered Roof-mounted Ventilation
- SoundSecure Patient Viewing Window
- SoundSecure Acoustic Door with Window
- Carpeting with Cove Base Trim
- Hospital-grade Recessed Electrical Devices

DELTA EXAM BOOTHS

Delta Exam Booths are triangular in shape and can fit into the corner of even the smallest office. Still achieving dependable acoustical performance, these booths furnish ample room for both patient and sound field equipment, while retaining the efficient work space required in today's clinical environments.

Constructed with our standard AS-A504 10 cm (4") thick panels, the Delta Exam Booths provide impressive isolation in a cost-effective package.

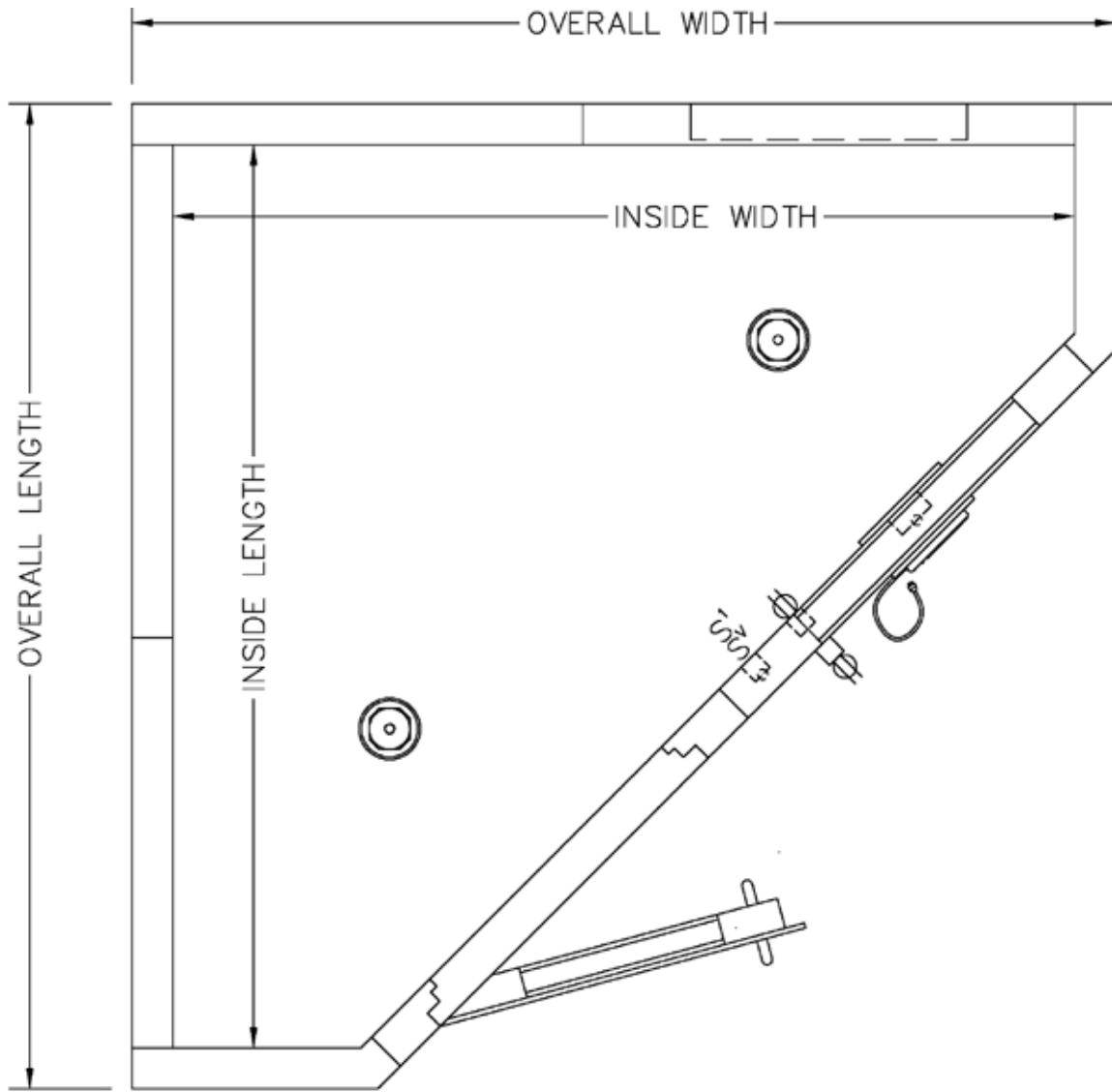
Acoustic Performance

Noise Reduction ¹	Center Frequency (HZ)							
	125 Hz	250 Hz	500 Hz	1000 Hz	2000 Hz	4000 Hz	8000 Hz	NIC
Delta Booths (dB)	24	32	42	49	55	57	55	44
Max. Permissible Noise Levels from Ventilation ²	Center Frequency (HZ)							
	125 Hz	250 Hz	500 Hz	1000 Hz	2000 Hz	4000 Hz	NRC	
Absorber Coefficient	.08	1.08	1.10	1.02	1.04	1.00	1.05	

¹ Noise reduction from outside to inside of a properly installed booth in accordance with ASTM E-596-96.

² Sound absorption coefficients measured in accordance with ASTM C423-84a.





Specifications

Model	Interior Dimensions (W x L x H)	Exterior Dimensions ³ (W x L x H)	Weight
Delta 142	183 cm x 183 cm x 198 cm	203 cm x 203 cm x 248 cm	1,588 kg
	6' 0" x 6' 0" x 6' 6"	6' 8" x 6' 8" x 8' 1 5/8"	3,500 lb
Delta 143	224 cm x 224 cm x 198 cm	244 cm x 244 cm x 248 cm	1,633 kg
	7' 4" x 7' 4" x 6' 6"	8' 0" x 8' 0" x 8' 1 5/8"	3,600 lb

³ Exterior height includes roof-mounted ventilation system. Other options are available if host space cannot accommodate overall height. Please allow a minimum of 10 cm (4") clearance between booth and host walls.

Features:

- Single Wall Design
- Pre-wired Jack Panel with Cable Pass-thru
- Acoustic Floor
- Ceiling Mounted LED Illumination System
- Acoustically Engineered Roof- or Wall-mounted Ventilation
- SoundSecure Patient Viewing Window
- SoundSecure Acoustic Door (Window Optional)
- Carpeting with Cove Base Trim
- Hospital-grade Recessed Electrical Devices

SINGLE WALL EXAM BOOTHS

Single Wall Audiometric Exam Booths are constructed with our standard AS-A504 10 cm (4") thick wall panels, which provide impressive isolation.

For installation convenience, the ventilation silencer can be mounted on either roof or wall, depending on space constraints.

Single Wall Audiometric Exam Booths offer the choice of either a standard model package or a built-to-order design to meet special requirements. Please contact ETS-Lindgren/Acoustic Systems for further information and product availability.

Acoustic Performance

Noise Reduction ¹	Center Frequency (HZ)							
	125 Hz	250 Hz	500 Hz	1000 Hz	2000 Hz	4000 Hz	8000 Hz	NIC
Single Wall (dB)	24	32	42	49	55	57	55	44
Single Wall Enhanced ² (dB)	26	32	43	50	57	59	58	46

Max. Permissible Noise Levels from Ventilation³

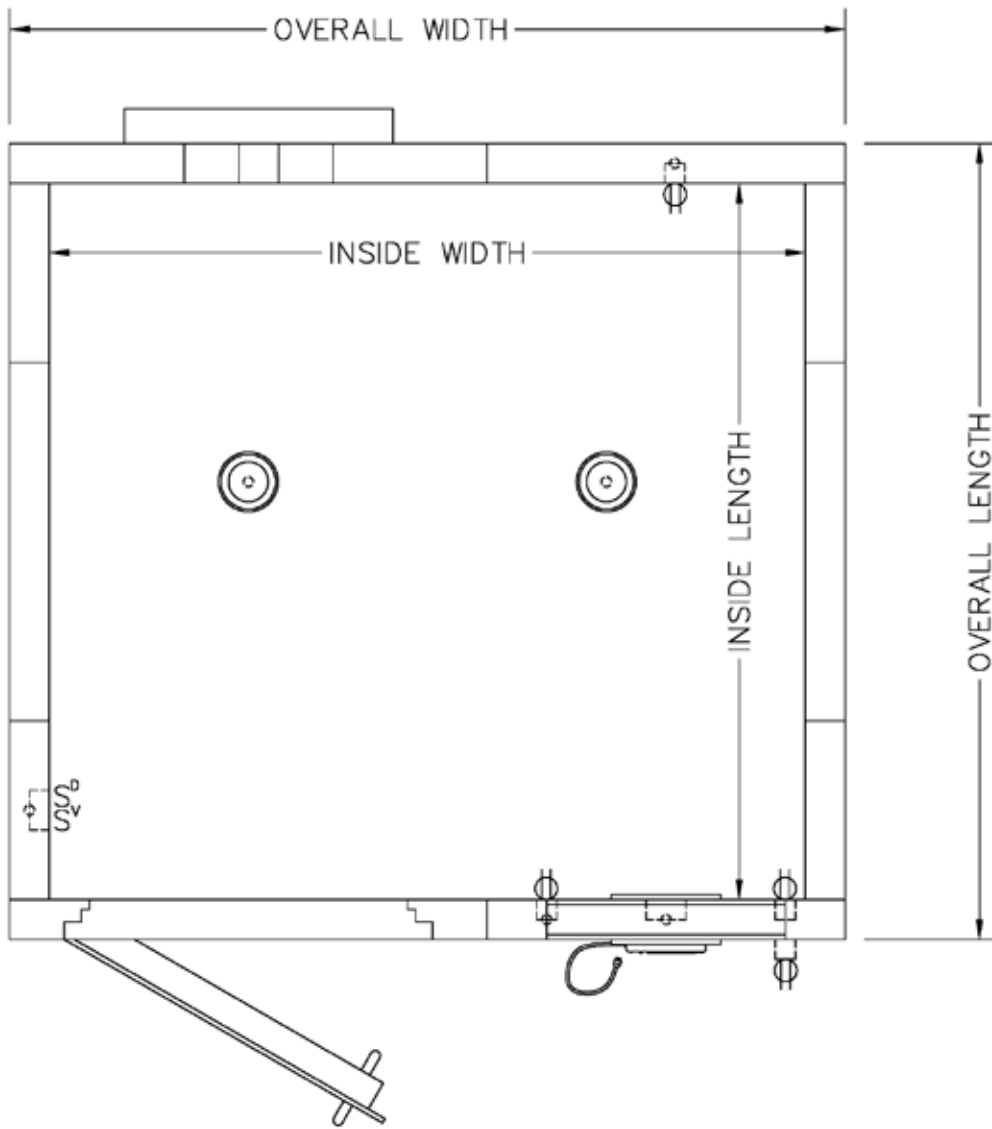
Absorber Coefficient	Center Frequency (HZ)							
	125 Hz	250 Hz	500 Hz	1000 Hz	2000 Hz	4000 Hz	NRC	
	.08	1.08	1.10	1.02	1.04	1.00	1.05	

¹ Noise reduction from outside to inside of a properly installed booth in accordance with ASTM E-596-96.

² Enhanced with interior acoustic fabric-wrapped aesthetic trim panels.

³ Sound absorption coefficients measured in accordance with ASTM C423-84a.





Specifications

Model	Interior Dimensions (W x L x H)	Exterior Dimensions ⁴ (W x L x H)	Weight
RE-142	183 cm x 183 cm x 198 cm 6' 4" x 6' 0" x 6' 6"	203 cm x 203 cm x 248 cm 7' 0" x 6' 8" x 8' 1 5/8"	1,746 kg 3,850 lb
RE-143	224 cm x 224 cm x 198 cm 7' 4" x 7' 0" x 6' 6"	244 cm x 234 cm x 248 cm 8' 0" x 7' 8" x 8' 1 5/8"	2,109 kg 4,650 lb
RE-144	274 cm x 254 cm x 198 cm 9' 0" x 8' 4" x 6' 6"	295 cm x 274 cm x 248 cm 9' 8" x 9' 0" x 8' 1 5/8"	2,740 kg 6,040 lb
RE-145	305 cm x 284 cm x 198 cm 10' 0" x 9' 4" x 6' 6"	325 cm x 305 cm x 248 cm 10' 8" x 10' 0" x 8' 1 5/8"	3,071 kg 6,770 lb
RE-146	193 cm x 122 cm x 198 cm 6' 4" x 4' 0" x 6' 6"	213 cm x 142 cm x 248 cm 7' 0" x 4' 8" x 8' 1 5/8"	1,383 kg 3,050 lb
RE-147	244 cm x 157 cm x 198 cm 8' 0" x 5' 2" x 6' 6"	264 cm x 178 cm x 248 cm 8' 8" x 5' 10" x 8' 1 5/8"	1,633 kg 3,600 lb
RE-148	305 cm x 244 cm x 198 cm 10' 0" x 8' 0" x 6' 6"	325 cm x 264 cm x 248 cm 10' 8" x 8' 8" x 8' 1 5/8"	2,767 kg 6,100 lb

⁴Exterior height includes roof-mounted ventilation system. Other options are available if host space cannot accommodate overall height. Please allow a minimum of 10 cm (4") clearance between booth and host walls.

Features:

- Double Wall Design
- Pre-wired Jack Panel with Cable Pass-thru
- Acoustic Floor
- Ceiling Mounted LED Illumination System
- Acoustically Engineered Roof- or Wall-mounted Ventilation
- SoundSecure Patient Viewing Window
- SoundSecure Acoustic Door (Window Optional)
- Carpeting with Cove Base Trim
- Hospital-grade Recessed Electrical Devices

DOUBLE WALL EXAM BOOTHS

Double Wall Audiometric Exam Booths are constructed with our standard AS-A504 10 cm (4") thick wall panels, which provide impressive isolation.

For installation convenience, the ventilation silencer can be mounted on either roof or wall, depending on space constraints.

Double Wall Audiometric Exam Booths offer the choice of either a standard model package or a built-to-order design to meet special requirements. Please contact ETS-Lindgren/Acoustic Systems for further information and product availability.

Acoustic Performance

Noise Reduction ¹	Center Frequency (HZ)							
	125 Hz	250 Hz	500 Hz	1000 Hz	2000 Hz	4000 Hz	8000 Hz	NIC
Double Wall (dB)	44	60	79	84	89	91	84	68
Double Wall Enhanced ² (dB)	47	62	79	84	90	92	83	72

Max. Permissible Noise Levels from Ventilation³

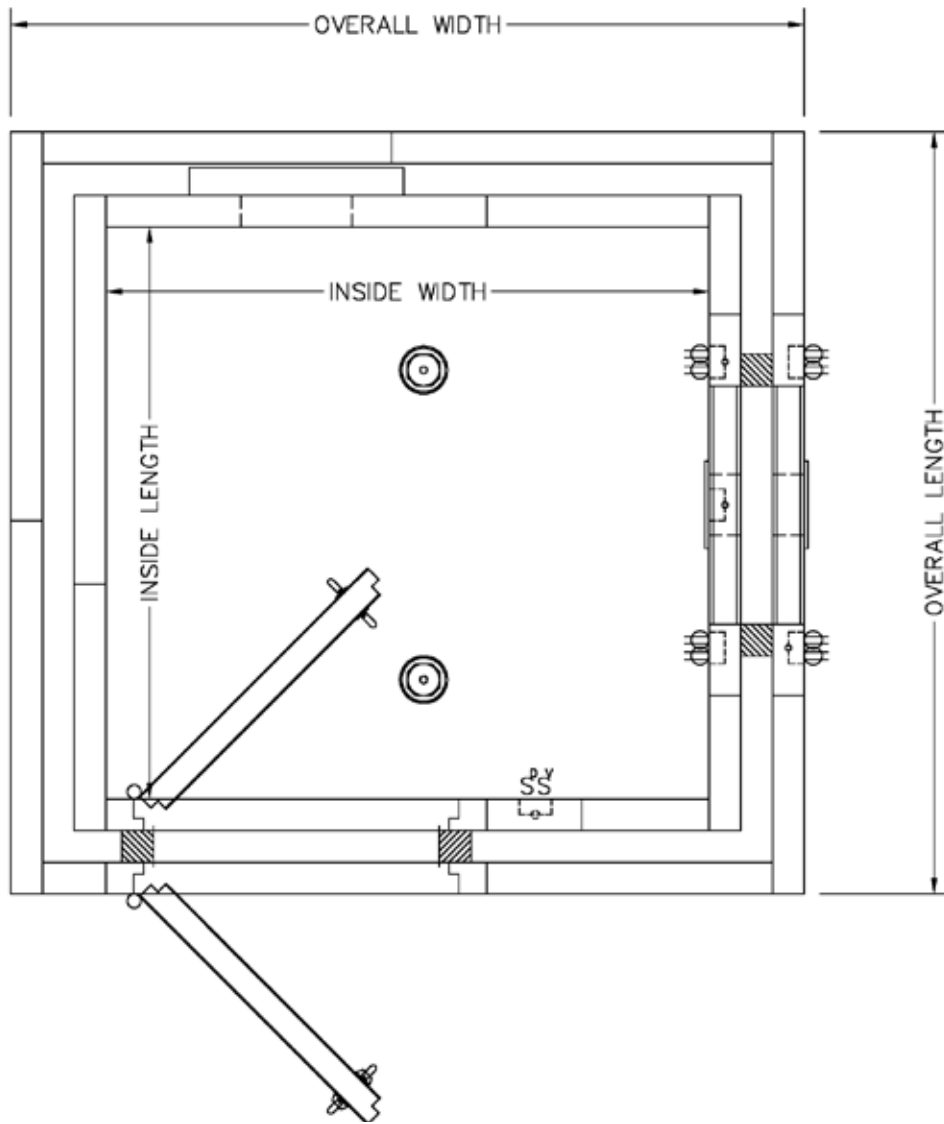
Absorber Coefficient	Center Frequency (HZ)							
	125 Hz	250 Hz	500 Hz	1000 Hz	2000 Hz	4000 Hz	NRC	
	.08	1.08	1.10	1.02	1.04	1.00	1.05	

¹ Noise reduction from outside to inside of a properly installed booth in accordance with ASTM E-596-96.

² Enhanced with interior acoustic fabric-wrapped aesthetic trim panels.

³ Sound absorption coefficients measured in accordance with ASTM C423-84a.





Specifications

Model	Interior Dimensions (W x L x H)	Exterior Dimensions ⁴ (W x L x H)	Weight
RE-240	91 cm x 102 cm x 198 cm 3' 0" x 3' 4" x 6' 6"	152 cm x 163 cm x 241 cm 5' 0" x 5' 4" x 7' 11"	1,814 kg 4,000 lb
RE-241	122 cm x 102 cm x 198 cm 4' 0" x 3' 4" x 6' 6"	183 cm x 163 cm x 241 cm 6' 0" x 5' 4" x 7' 11"	2,063 kg 4,550 lb
RE-242	193 cm x 183 cm x 198 cm 6' 4" x 6' 0" x 6' 6"	254 cm x 244 cm x 269 cm 8' 4" x 8' 0" x 8' 10"	3,289 kg 7,250 lb
RE-243	224 cm x 213 cm x 198 cm 7' 4" x 7' 0" x 6' 6"	284 cm x 274 cm x 269 cm 9' 4" x 9' 0" x 8' 10"	3,742 kg 8,250 lb
RE-244	274 cm x 254 cm x 198 cm 9' 0" x 8' 4" x 6' 6"	335 cm x 315 cm x 269 cm 11' 0" x 10' 4" x 8' 10"	4,636 kg 10,220 lb
RE-245	305 cm x 284 cm x 198 cm 10' 0" x 9' 4" x 6' 6"	366 cm x 345 cm x 269 cm 12' 0" x 11' 4" x 8' 10"	5,389 kg 11,880 lb
RE-246	193 cm x 122 cm x 198 cm 6' 4" x 4' 0" x 6' 6"	254 cm x 183 cm x 269 cm 8' 4" x 6' 0" x 8' 10"	2,495 kg 5,500 lb
RE-247	244 cm x 157 cm x 198 cm 8' 0" x 5' 2" x 6' 6"	305 cm x 218 cm x 269 cm 10' 0" x 7' 2" x 8' 10"	3,447 kg 7,600 lb
RE-248	305 cm x 244 cm x 198 cm 10' 0" x 8' 0" x 6' 6"	366 cm x 305 cm x 269 cm 12' 0" x 10' 0" x 8' 10"	4,844 kg 10,680 lb

⁴Exterior height includes roof-mounted ventilation system. Other options are available if host space cannot accommodate overall height. Please allow a minimum of 10 cm (4") clearance between booth and host walls with the exception of Model RE-241 which requires 18 cm (7") of clearance on back side to accommodate wall mounted ventilation system.

Features:

- Single/Single Wall Design
- Pre-wired Jack Panel with Cable Pass-thru
- Isolated Acoustic Floor in both Control and Exam Rooms
- Ceiling Mounted LED Illumination System
- Acoustically Engineered Roof- or Wall-mounted Ventilation
- SoundSecure Patient Viewing Window
- SoundSecure Acoustic Door (Window Optional)
- Carpeting with Cove Base Trim
- Hospital-grade Recessed Electrical Devices

SINGLE WALL CONTROL SINGLE WALL EXAM SUITE

Single Wall Control, Single Wall Exam Suites are constructed with our premium AS-A504 10 cm (4") thick wall panels, which provide impressive isolation.

For installation convenience, the ventilation silencer can be mounted on either roof or wall, depending on space constraints.

These suites offer the choice of either a standard model package or a built-to-order design to meet special requirements. Please contact ETS-Lindgren/Acoustic Systems for further information and product availability.

Acoustic Performance

Noise Reduction ¹	Center Frequency (HZ)							
	125 Hz	250 Hz	500 Hz	1000 Hz	2000 Hz	4000 Hz	8000 Hz	NIC
Single Wall (dB)	24	32	42	49	55	57	55	44
Single Wall Enhanced ² (dB)	26	32	43	50	57	59	58	46

Max. Permissible Noise Levels from Ventilation³

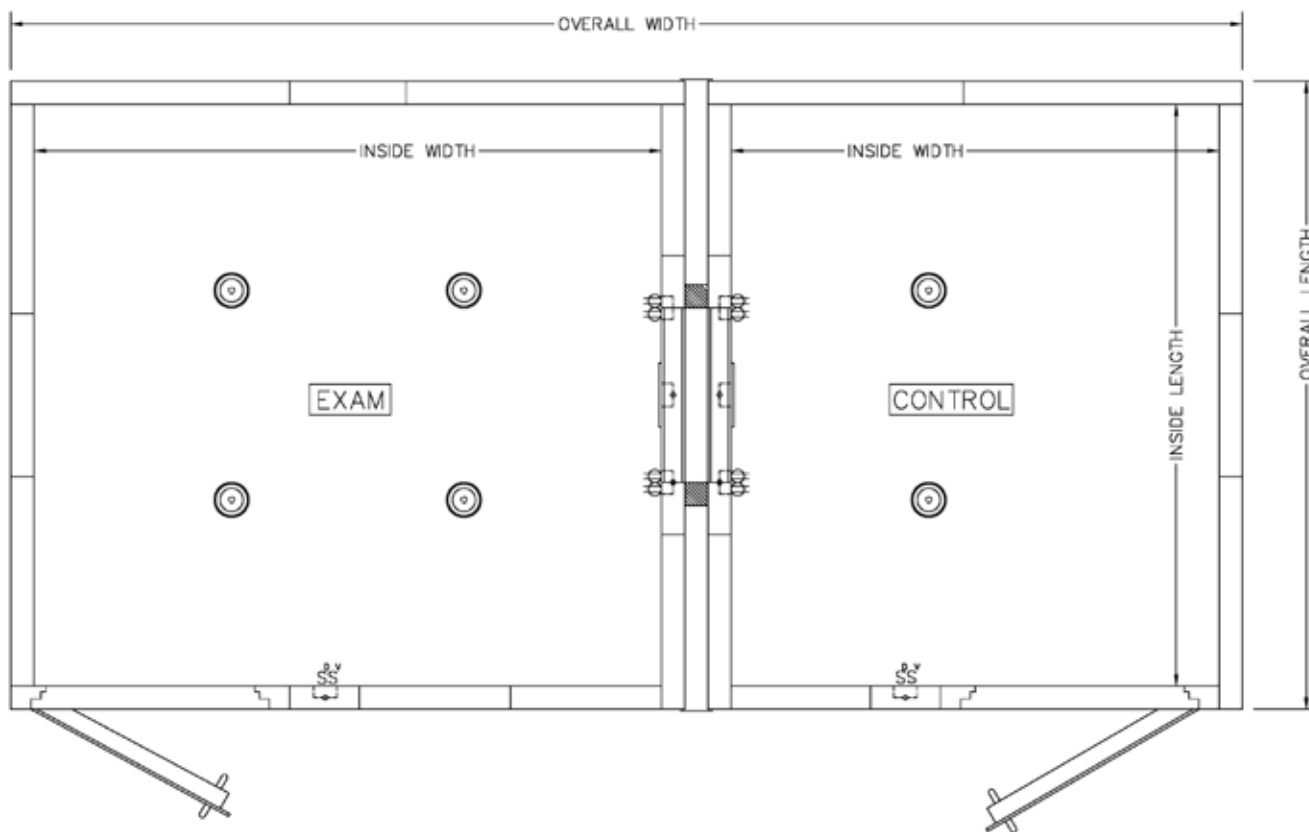
Absorber Coefficient	Center Frequency (HZ)							
	125 Hz	250 Hz	500 Hz	1000 Hz	2000 Hz	4000 Hz	NRC	
Absorber Coefficient	.08	1.08	1.10	1.02	1.04	1.00	1.05	

¹ Noise reduction from outside to inside of a properly installed booth in accordance with ASTM E-596-96.

² Enhanced with interior acoustic fabric-wrapped aesthetic trim panels.

³ Sound absorption coefficients measured in accordance with ASTM C423-84a.





Specifications

Model	Control Interior Dimensions (W x L x H)	Exam Interior Dimensions (W x L x H)	Exterior Dimensions ⁴ (W x L x H)	Weight
RS-142	122 cm x 193 cm x 198 cm 4' 0" x 6' 4" x 6' 6"	183 cm x 193 cm x 198 cm 6' 0" x 6' 4" x 6' 6"	356 cm x 213 cm x 248 cm 11' 8" x 7' 0" x 8' 1 5/8"	2,896 kg 6,385 lb
RS-142L	152 cm x 193 cm x 198 cm 5' 4" x 6' 4" x 6' 6"	183 cm x 193 cm x 198 cm 6' 0" x 6' 4" x 6' 6"	386 cm x 213 cm x 248 cm 12' 8" x 7' 0" x 8' 1 5/8"	2,989 kg 6,590 lb
RS-143	163 cm x 213 cm x 198 cm 5' 4" x 7' 0" x 6' 6"	224 cm x 213 cm x 198 cm 7' 4" x 7' 0" x 6' 6"	437 cm x 234 cm x 248 cm 14' 4" x 7' 8" x 8' 1 5/8"	3,592 kg 7,920 lb
RS-144	213 cm x 254 cm x 198 cm 7' 0" x 8' 4" x 6' 6"	274 cm x 254 cm x 198 cm 9' 0" x 8' 4" x 6' 6"	538 cm x 274 cm x 248 cm 17' 8" x 9' 0" x 8' 1 5/8"	4,763 kg 10,500 lb
RS-145	244 cm x 284 cm x 198 cm 8' 0" x 9' 4" x 6' 6"	305 cm x 284 cm x 198 cm 10' 0" x 9' 4" x 6' 6"	599 cm x 305 cm x 248 cm 19' 8" x 10' 0" x 8' 1 5/8"	5,416 kg 11,940 lb
RS-146	122 cm x 193 cm x 198 cm 4' 0" x 6' 4" x 6' 6"	122 cm x 193 cm x 198 cm 4' 0" x 6' 4" x 6' 6"	295 cm x 213 cm x 248 cm 9' 8" x 7' 0" x 8' 1 5/8"	2,368 kg 5,220 lb
RS-147	157 cm x 244 cm x 198 cm 5' 2" x 8' 0" x 6' 6"	157 cm x 244 cm x 198 cm 5' 2" x 8' 0" x 6' 6"	366 cm x 264 cm x 248 cm 12' 0" x 8' 8" x 8' 1 5/8"	3,216 kg 7,090 lb
RS-148	157 cm x 244 cm x 198 cm 5' 2" x 8' 0" x 6' 6"	305 cm x 244 cm x 198 cm 10' 0" x 8' 0" x 6' 6"	513 cm x 264 cm x 248 cm 16' 10" x 8' 8" x 8' 1 5/8"	4,663 kg 10,280 lb

⁴Exterior height includes roof-mounted ventilation system. Other options are available if host space cannot accommodate overall height. Please allow a minimum of 10 cm (4") clearance between booth and host walls.

Features:

- Single/Double Wall Design
- Pre-wired Jack Panel with Cable Pass-thru
- Isolated Acoustic Floor in both Control and Exam Rooms
- Ceiling Mounted LED Illumination System
- Acoustically Engineered Roof- or Wall-mounted Ventilation
- SoundSecure Patient Viewing Window
- SoundSecure Acoustic Door (Window Optional)
- Carpeting with Cove Base Trim
- Hospital-grade Recessed Electrical Devices

SINGLE WALL CONTROL DOUBLE WALL EXAM SUITE

Single Wall Control, Double Wall Exam Suites are constructed with our premium AS-A504 10 cm (4") thick wall panels, which provide impressive isolation.

For installation convenience, the ventilation silencer can be mounted on either roof or wall, depending on space constraints.

These suites offer the choice of either a standard model package or a built-to-order design to meet special requirements. Please contact ETS-Lindgren/Acoustic Systems for further information and product availability.

Acoustic Performance

Noise Reduction ¹	Center Frequency (HZ)							
	125 Hz	250 Hz	500 Hz	1000 Hz	2000 Hz	4000 Hz	8000 Hz	NIC
Double Wall (dB)	44	60	79	84	89	91	84	69
Double Wall Enhanced ² (dB)	47	62	79	84	90	92	83	72

Max. Permissible Noise Levels from Ventilation³

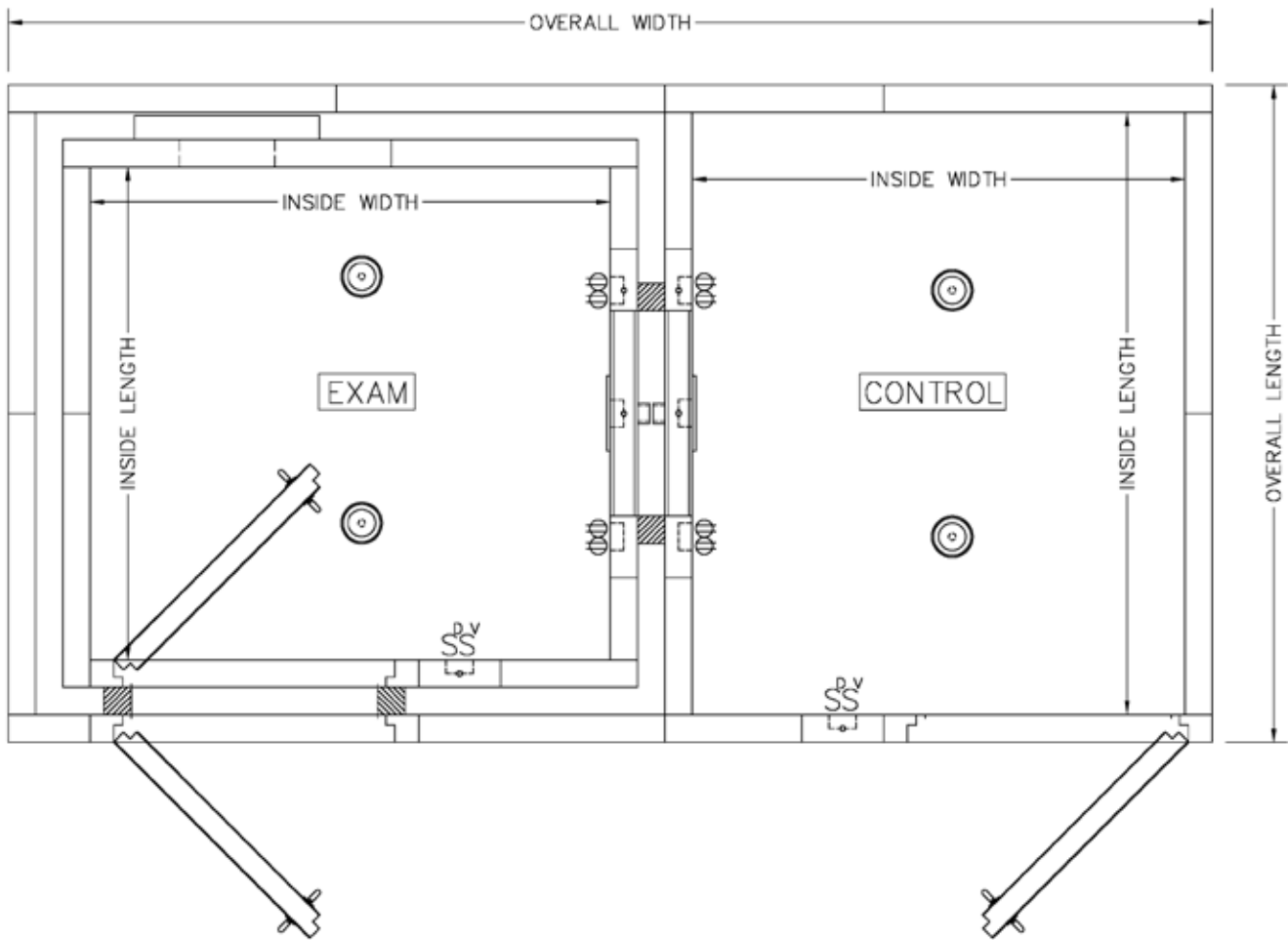
Absorber Coefficient	Center Frequency (HZ)							
	125 Hz	250 Hz	500 Hz	1000 Hz	2000 Hz	4000 Hz	NRC	
Absorber Coefficient	.08	1.08	1.10	1.02	1.04	1.00	1.05	

¹ Noise reduction from outside to inside of a properly installed booth in accordance with ASTM E-596-96.

² Enhanced with interior acoustic fabric-wrapped aesthetic trim panels.

³ Sound absorption coefficients measured in accordance with ASTM C423-84a.





Specifications

Model	Control Interior Dimensions (W x L x H)	Exam Interior Dimensions (W x L x H)	Exterior Dimensions ⁴ (W x L x H)	Weight
RS-252	183 cm x 224 cm x 218 cm 6' 0" x 7' 4" x 7' 2"	193 cm x 183 cm x 198 cm 6' 4" x 6' 0" x 6' 6"	447 cm x 244 cm x 269 cm 14' 8" x 8' 0" x 8' 10"	4,695 kg 10,350 lb
RS-253	213 cm x 254 cm x 218 cm 7' 0" x 8' 4" x 7' 2"	224 cm x 213 cm x 198 cm 7' 4" x 7' 0" x 6' 6"	508 cm x 274 cm x 269 cm 16' 8" x 9' 0" x 8' 10"	4,695 kg 13,500 lb
RS-254	234 cm x 295 cm x 218 cm 7' 8" x 9' 8" x 7' 2"	274 cm x 254 cm x 198 cm 9' 0" x 8' 4" x 6' 6"	579 cm x 315 cm x 269 cm 19' 0" x 10' 4" x 8' 10"	6,505 kg 14,340 lb
RS-255	264 cm x 325 cm x 218 cm 8' 8" x 10' 8" x 7' 2"	305 cm x 284 cm x 198 cm 10' 0" x 9' 4" x 6' 6"	640 cm x 345 cm x 269 cm 21' 0" x 11' 4" x 8' 10"	7,865 kg 17,340 lb
RS-256	122 cm x 234 cm x 218 cm 4' 0" x 7' 8" x 7' 2"	122 cm x 193 cm x 198 cm 4' 0" x 6' 4" x 6' 6"	315 cm x 254 cm x 269 cm 10' 4" x 8' 4" x 8' 10"	3,924 kg 8,650 lb
RS-257	173 cm x 284 cm x 218 cm 5' 8" x 9' 4" x 7' 2"	157 cm x 244 cm x 198 cm 5' 2" x 8' 0" x 6' 6"	401 cm x 305 cm x 269 cm 13' 2" x 10' 0" x 8' 10"	4,808 kg 10,600 lb
RS-258	173 cm x 345 cm x 218 cm 5' 8" x 11' 4" x 7' 2"	244 cm x 305 cm x 198 cm 8' 0" x 10' 0" x 6' 6"	488 cm x 366 cm x 269 cm 16' 0" x 12' 0" x 8' 10"	6,759 kg 14,900 lb

⁴Exterior height includes roof-mounted ventilation system. Other options are available if host space cannot accommodate overall height. Please allow a minimum of 10 cm (4") clearance between booth and host walls.

Features:

- Double/Double Wall Design
- Pre-wired Jack Panel with Cable Pass-thru
- Isolated Acoustic Floor in both Control and Exam Rooms
- Ceiling Mounted LED Illumination System
- Acoustically Engineered Roof- or Wall-mounted Ventilation
- SoundSecure Patient Viewing Window
- SoundSecure Acoustic Door (Window Optional)
- Carpeting with Cove Base Trim
- Hospital-grade Recessed Electrical Devices

DOUBLE WALL CONTROL DOUBLE WALL EXAM SUITE

Double Wall Control, Double Wall Exam Suites are constructed with our premium AS-A504 10 cm (4") thick wall panels, which provide impressive isolation.

For installation convenience, the ventilation silencer can be mounted on either roof or wall, depending on space constraints.

These suites offer the choice of either a standard model package or a built-to-order design to meet special requirements. Please contact ETS-Lindgren/Acoustic Systems for further information and product availability.

Acoustic Performance

Noise Reduction ¹	Center Frequency (HZ)							
	125 Hz	250 Hz	500 Hz	1000 Hz	2000 Hz	4000 Hz	8000 Hz	NIC
Double Wall (dB)	44	60	79	84	89	91	84	68
Double Wall Enhanced ² (dB)	47	62	79	84	90	92	83	72

Max. Permissible Noise Levels from Ventilation³

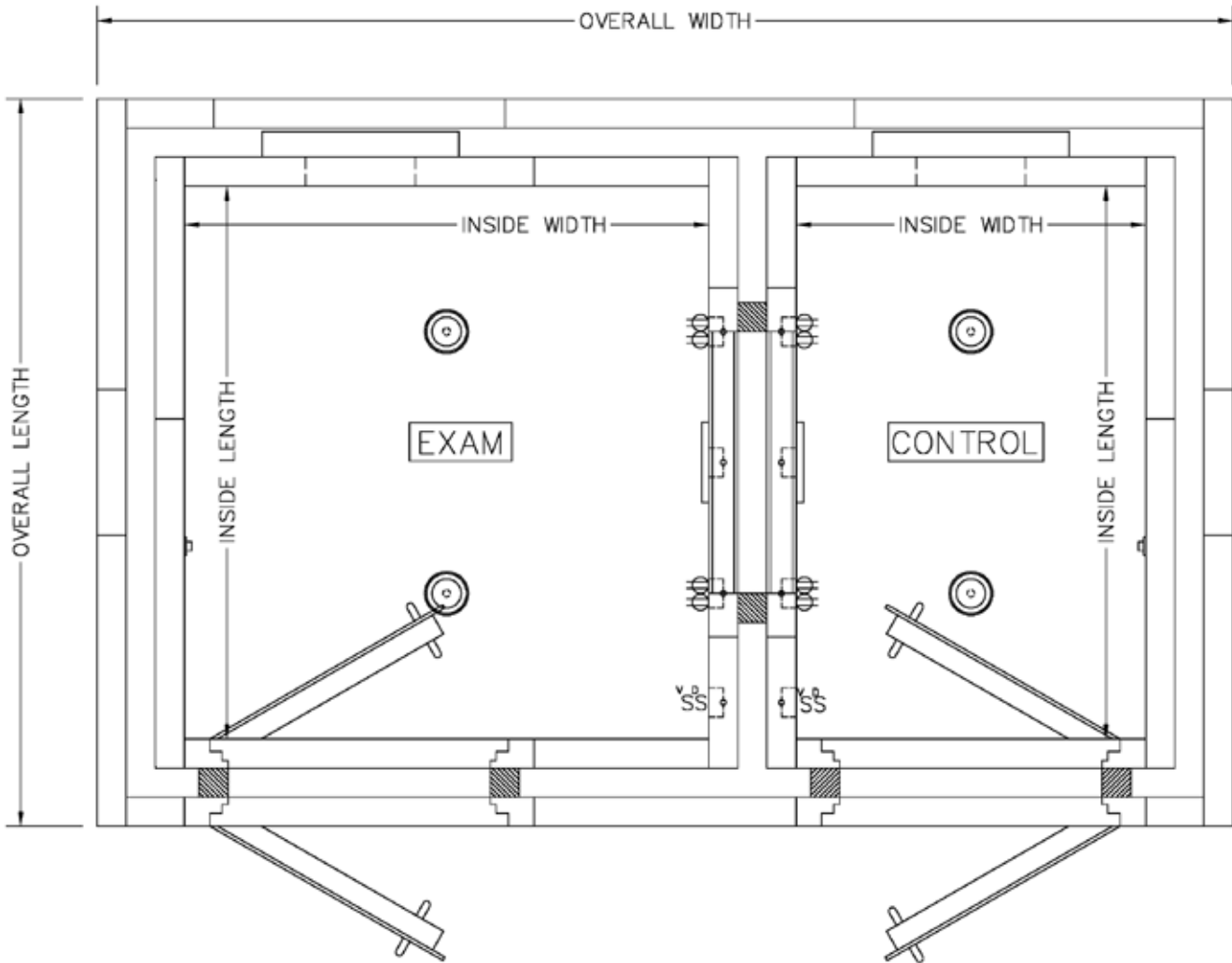
Absorber Coefficient	Center Frequency (HZ)							
	125 Hz	250 Hz	500 Hz	1000 Hz	2000 Hz	4000 Hz	NRC	
	.08	1.08	1.10	1.02	1.04	1.00	1.05	

¹ Noise reduction from outside to inside of a properly installed booth in accordance with ASTM E-596-96.

² Enhanced with interior acoustic fabric-wrapped aesthetic trim panels.

³ Sound absorption coefficients measured in accordance with ASTM C423-84a.





Specifications

Model	Control Interior Dimensions (W x L x H)	Exam Interior Dimensions (W x L x H)	Exterior Dimensions ⁴ (W x L x H)	Weight
RS-242	122 cm x 193 cm x 198 cm 4' 0" x 6' 4" x 6' 6"	183 cm x 193 cm x 198 cm 6' 0" x 6' 4" x 6' 6"	396 cm x 254 cm x 269 cm 13' 0" x 8' 4" x 8' 10"	5,488 kg 12,100 lb
RS-242L	152 cm x 193 cm x 198 cm 5' 0" x 6' 4" x 6' 6"	183 cm x 193 cm x 198 cm 6' 0" x 6' 4" x 6' 6"	427 cm x 254 cm x 269 cm 14' 0" x 8' 4" x 8' 10"	5,488 kg 12,480 lb
RS-243	163 cm x 213 cm x 198 cm 5' 4" x 7' 0" x 6' 6"	224 cm x 213 cm x 198 cm 7' 4" x 7' 0" x 6' 6"	478 cm x 274 cm x 269 cm 15' 8" x 9' 0" x 8' 10"	6,332 kg 13,960 lb
RS-244	217 cm x 254 cm x 198 cm 7' 0" x 8' 4" x 6' 6"	274 cm x 254 cm x 198 cm 9' 0" x 8' 4" x 6' 6"	579 cm x 315 cm x 269 cm 19' 0" x 10' 4" x 8' 10"	7,956 kg 17,540 lb
RS-245	244 cm x 284 cm x 198 cm 8' 0" x 9' 4" x 6' 6"	305 cm x 284 cm x 198 cm 10' 0" x 9' 4" x 6' 6"	640 cm x 345 cm x 269 cm 21' 0" x 11' 4" x 8' 10"	9,008 kg 19,860 lb
RS-246	152 cm x 157 cm x 198 cm 5' 0" x 5' 2" x 6' 6"	244 cm x 157 cm x 198 cm 8' 0" x 5' 2" x 6' 6"	488 cm x 218 cm x 269 cm 16' 0" x 7' 2" x 8' 10"	5,661 kg 12,480 lb
RS-247	157 cm x 244 cm x 198 cm 5' 2" x 8' 0" x 6' 6"	157 cm x 244 cm x 198 cm 5' 2" x 8' 0" x 6' 6"	406 cm x 218 cm x 269 cm 13' 4" x 7' 2" x 8' 10"	5,752 kg 12,680 lb
RS-248	157 cm x 244 cm x 198 cm 5' 2" x 8' 0" x 6' 6"	305 cm x 244 cm x 198 cm 10' 0" x 8' 0" x 6' 6"	554 cm x 305 cm x 269 cm 18' 2" x 10' 0" x 8' 10"	7,657 kg 16,880 lb

⁴Exterior height includes roof-mounted ventilation system. Other options are available if host space cannot accommodate overall height. Please allow a minimum of 10 cm (4") clearance between booth and host walls.

Features:

- Single Wall Design
- Jack Panel at Each Test Position Includes Left and Right Earphones and Patient Response Switch Corresponding to Master Panel
- Hook for Headphones and Response Button
- Isolated Acoustic Floor
- Ceiling Mounted LED Illumination System
- Acoustically Engineered Roof- or Wall-mounted Ventilation
- SoundSecure Acoustic Door (Window Optional)
- Carpeting with Cove Base Trim
- Divider Curtains and Padded Seats at Each Test Position

SINGLE WALL GROUP TEST BOOTHS

Single Wall Group Test Booths are capable of testing multiple individuals simultaneously.

Single Wall Booths provide impressive isolation utilizing AS-A504 10 cm (4") wall panels.

For installation convenience, ventilation silencer can be mounted on either roof or wall, depending on space constraints.

Acoustic Performance

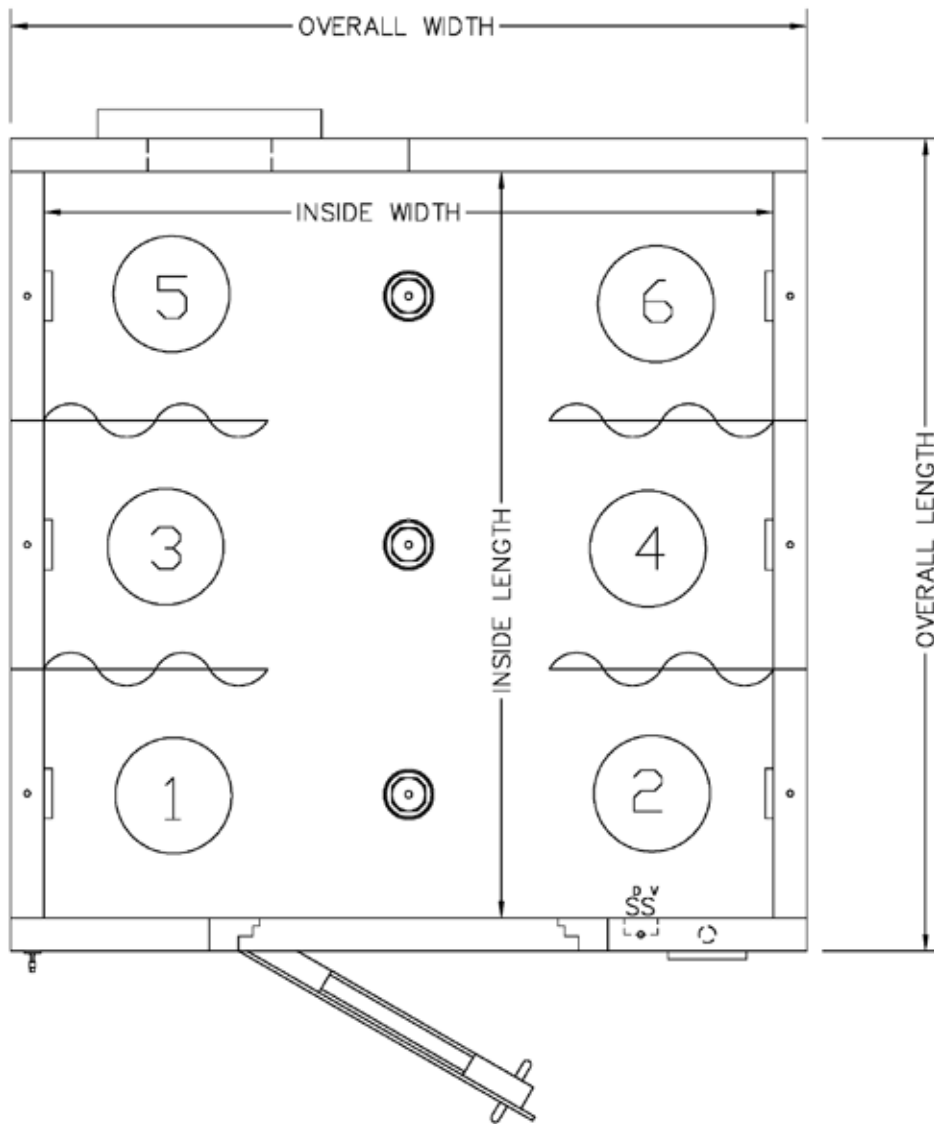
Noise Reduction ¹	Center Frequency (HZ)							
	125 Hz	250 Hz	500 Hz	1000 Hz	2000 Hz	4000 Hz	8000 Hz	NIC
Single Wall ² (dB)	24	32	42	49	55	57	55	44

Max. Permissible Noise Levels from Ventilation ³	Center Frequency (HZ)						
	125 Hz	250 Hz	500 Hz	1000 Hz	2000 Hz	4000 Hz	NRC
SPL (dB)	34.0	22.5	19.5	26.5	28.0	34.5	43.5

¹ Noise reduction from outside to inside of a properly installed booth in accordance with ASTM E-596-96.

² Enhanced with interior acoustic fabric-wrapped aesthetic trim panels.

³ Sound absorption coefficients measured in accordance with ASTM C423-84a.



Specifications

Model	Number of Test Positions	Interior Dimensions (W x L x H)	Exterior Dimensions ⁴ (W x L x H)	Weight
RM-181	2	224 cm x 76 cm x 198 cm	244 cm x 97 cm x 248 cm	1,338 kg
		7' 4" x 2' 6" x 6' 6"	8' 0" x 3' 2" x 8' 1 5/8"	2,950 lb
RM-182	4	224 cm x 152 cm x 198 cm	244 cm x 173 cm x 248 cm	1,706 kg
		7' 4" x 5' 0" x 6' 6"	8' 0" x 5' 8" x 8' 1 5/8"	3,760 lb
RM-183	6	224 cm x 229 cm x 198 cm	244 cm x 249 cm x 248 cm	2,105 kg
		7' 4" x 7' 6" x 6' 6"	8' 0" x 8' 2" x 8' 1 5/8"	4,640 lb
RM-184	8	224 cm x 305 cm x 198 cm	244 cm x 325 cm x 248 cm	2,867 kg
		7' 4" x 10' 0" x 6' 6"	8' 0" x 10' 8" x 8' 1 5/8"	6,320 lb
RM-185	10	224 cm x 381 cm x 198 cm	244 cm x 401 cm x 248 cm	3,139 kg
		7' 4" x 12' 6" x 6' 6"	8' 0" x 13' 2" x 8' 1 5/8"	6,920 lb

⁴Exterior height includes roof-mounted ventilation system. Other options are available if host space cannot accommodate overall height. Please allow a minimum of 10 cm (4") clearance between booth and host walls.

Features:

- Double Wall Design
- Jack Panel at Each Test Position Includes Left and Right Earphones and Patient Response Switch Corresponding to Master Panel
- Hook for Headphones and Response Button
- Isolated Acoustic Floor
- Ceiling Mounted LED Illumination System
- Acoustically Engineered Roof- or Wall-mounted Ventilation
- SoundSecure Acoustic Door (Window Optional)
- Carpeting with Cove Base Trim
- Divider Curtains and Padded Seats at Each Test Position

DOUBLE WALL GROUP TEST BOOTHS

Double Wall Group Test Booths are capable of testing multiple individuals simultaneously.

Double Wall Booths provide increased isolation when ambient conditions prohibit a single wall configuration to meet ANSI specifications. Double Wall Booths also provide additional acoustic control to isolate patients from waiting room noise.

For installation convenience, ventilation silencer can be mounted on either roof or wall, depending on space constraints.

Acoustic Performance

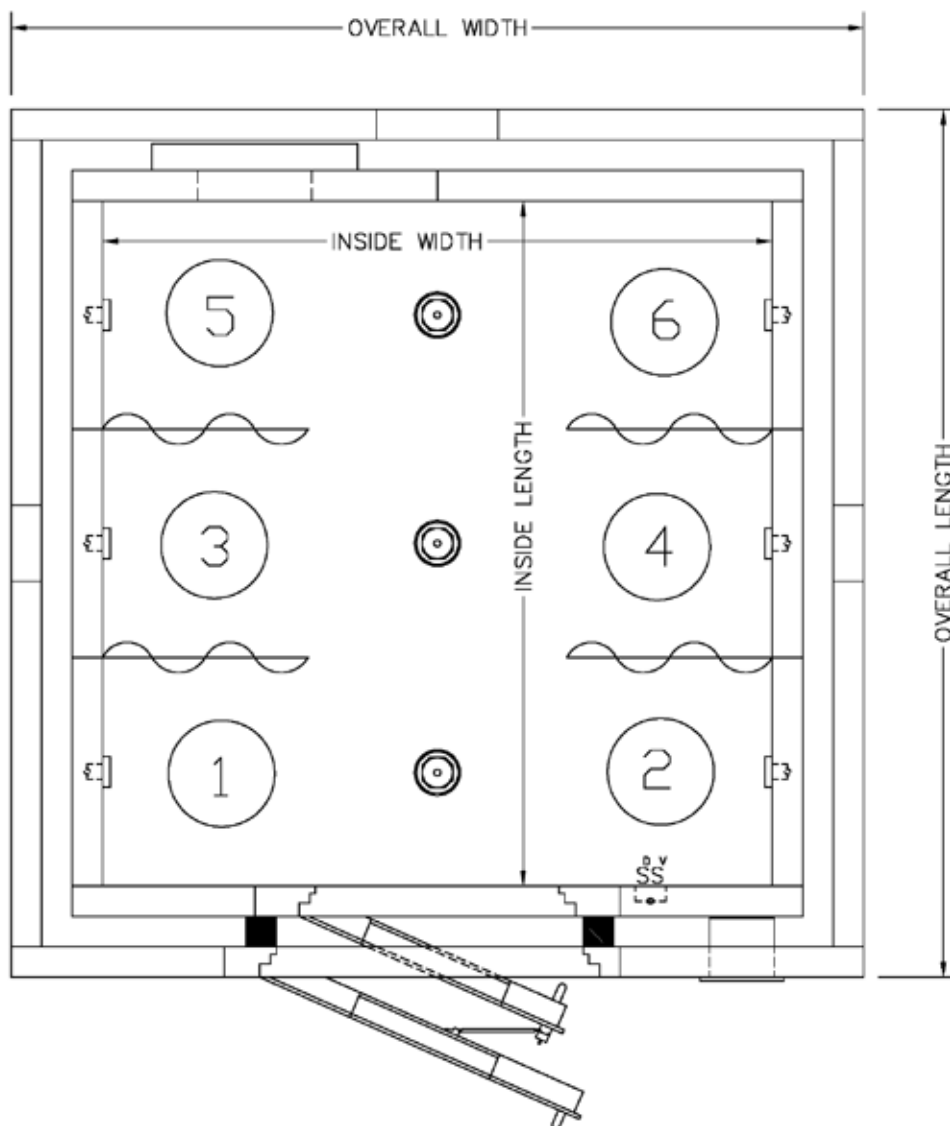
Noise Reduction ¹	Center Frequency (HZ)							
	125 Hz	250 Hz	500 Hz	1000 Hz	2000 Hz	4000 Hz	8000 Hz	NIC
Double Wall ² (dB)	44	60	79	84	89	91	84	68

Max. Permissible Noise Levels from Ventilation ³	Center Frequency (HZ)							
	125 Hz	250 Hz	500 Hz	1000 Hz	2000 Hz	4000 Hz	NRC	
SPL (dB)	34.0	22.5	19.5	26.5	28.0	34.5	43.5	

¹ Noise reduction from outside to inside of a properly installed booth in accordance with ASTM E-596-96.

² Enhanced with interior acoustic fabric-wrapped aesthetic trim panels.

³ Sound absorption coefficients measured in accordance with ASTM C423-84a.



Specifications

Model	Number of Test Positions	Interior Dimensions (W x L x H)	Exterior Dimensions ⁴ (W x L x H)	Weight
RM-281	2	224 cm x 76 cm x 198 cm 7' 4" x 2' 6" x 6' 6"	284 cm x 137 cm x 269 cm 9' 4" x 4' 6" x 8' 10"	1,946 kg 4,290 lb
RM-282	4	224 cm x 152 cm x 198 cm 7' 4" x 5' 0" x 6' 6"	284 cm x 213 cm x 269 cm 9' 4" x 7' 0" x 8' 10"	3,302 kg 7,280 lb
RM-283	6	224 cm x 229 cm x 198 cm 7' 4" x 7' 6" x 6' 6"	284 cm x 290 cm x 269 cm 9' 4" x 9' 6" x 8' 10"	3,910 kg 8,620 lb
RM-284	8	224 cm x 305 cm x 198 cm 7' 4" x 10' 0" x 6' 6"	284 cm x 366 cm x 269 cm 9' 4" x 12' 0" x 8' 10"	4,590 kg 10,120 lb
RM-285	10	224 cm x 381 cm x 198 cm 7' 4" x 12' 6" x 6' 6"	284 cm x 442 cm x 269 cm 9' 4" x 14' 6" x 8' 10"	5,443 kg 12,000 lb

⁴Exterior height includes roof-mounted ventilation system. Other options are available if host space cannot accommodate overall height. Please allow a minimum of 10 cm (4") clearance between booth and host walls.



SALES AND SUPPORT OFFICES

UNITED STATES – TEXAS

Cedar Park, TX
+1.512.531.6400 Phone
+1.512.531.6500 Fax
info@ets-lindgren.com

UNITED STATES – ILLINOIS

Wood Dale, IL
+1.630.307.7200 Phone
+1.630.307.7571 Fax
info@ets-lindgren.com

UNITED STATES – WISCONSIN

Minocqua, WI
+1.715.356.2022 Phone
+1.715.356.2023 Fax
info@ets-lindgren.com

FINLAND

Eura
+358.2.8383.300 Phone
+358.2.8651.233 Fax
euinfo@ets-lindgren.com

UNITED ARAB EMIRATES

Dubai
+971.55.610.4055 Phone
uae@ets-lindgren.com

CHINA

Beijing
+86(10)8273.0877 Phone
+86(10)8273.0880 Fax
china@ets-lindgren.com

JAPAN

Tokyo
+81.3.3813.7100 Phone
+81.3.3813.8068 Fax
japan@ets-lindgren.com

INDIA

Bangalore
+91.80.4341.8600 Phone
+91.80.4341.8611 Fax
indiainfo@ets-lindgren.com

SINGAPORE

Singapore
+65.6391.0912 Phone
+65.6298.9509 Fax
singapore@ets-lindgren.com

TAIWAN

Taipei
+886.2.27023389 Phone
+886.2.27023055 Fax
taiwan@ets-lindgren.com

THE SUREST SOLUTION BY ANY MEASURE™

