

Shielded Boxes Table Top Box Model 5230



Features:

- Standard dimensions 600 x 500 x 500 (h) mm
- RFHO-60 hatch with hinges, clear opening 520 x 420 (h) mm
- Painted white (RAL 9010) on the outside

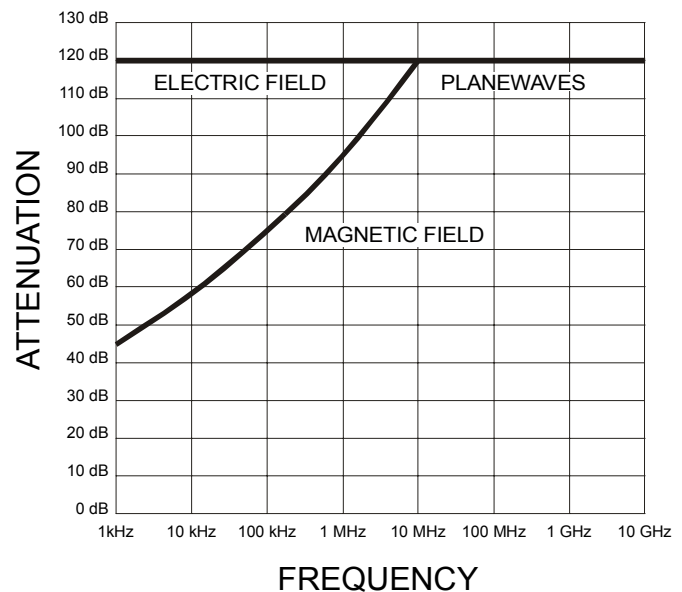
Applications:

- production testing (EMC, RF etc.)
- approval testing
- for sensitive measurements where shielding is needed
- for small devices like mobile phones etc.

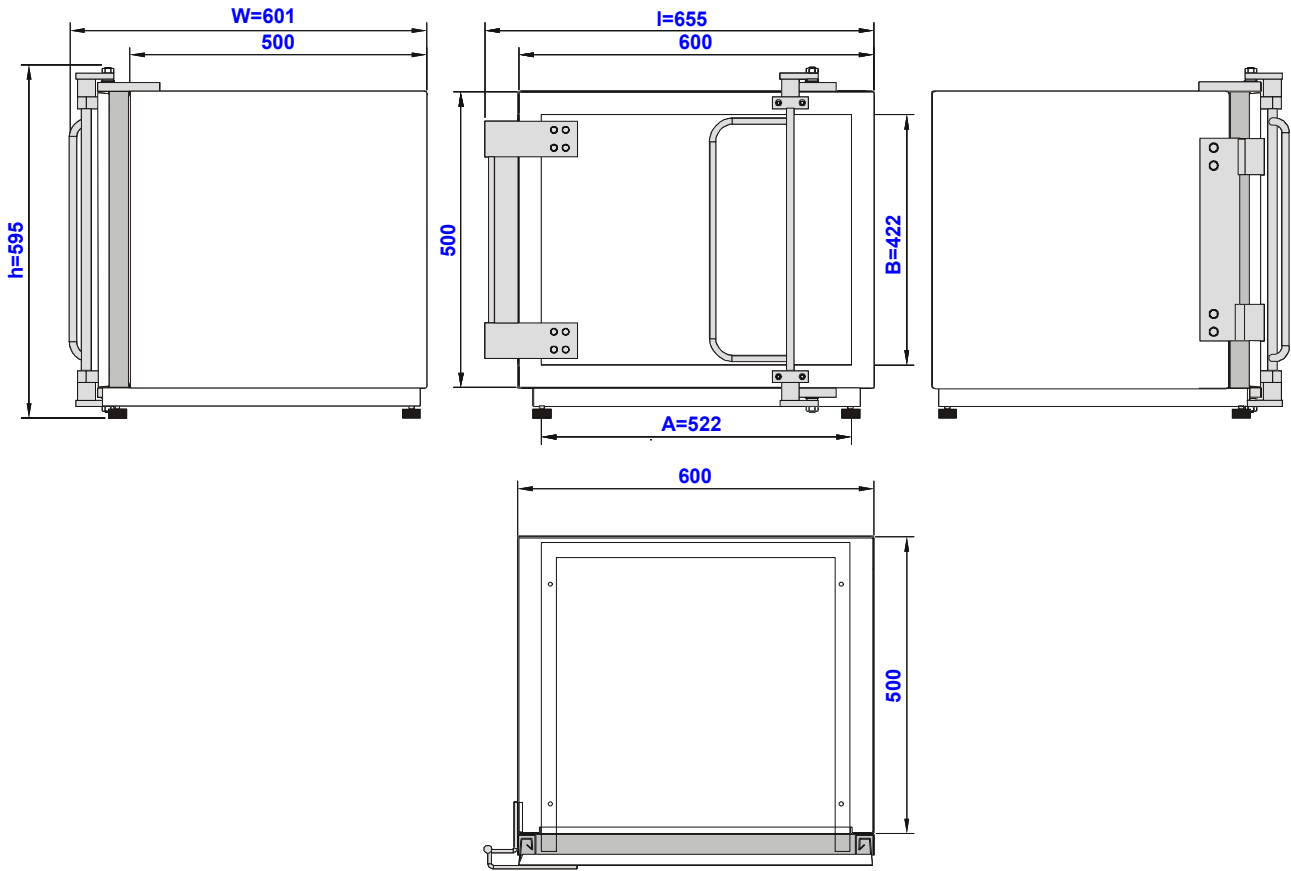
Options:

- power and signal line filters
- grounding point
- feedthrough panels, pipes & connectors
- honeycomb air-vents & exhaust fan
- observation windows
- absorbers (ferrite tiles or flat laminate absorbers)
- various sizes
- various sizes of hatches
- automatic hatches (pneumatic operation)
- sliding hatches
- microswitch indicating the RF-tight
- open / closed position of the hatch

Shielding effectiveness:



Shielding effectiveness measured acc. to MIL-STD-285



ETS-Lindgren reserves the right to any change in this document without any further notice - 04/02

ETS-Lindgren Corporate Headquarters
1301 Arrow Point Drive
Cedar Park, TX 78613, USA
Tel. +1 512 531 6400
Fax. +1 512 531 6500
info@ets-lindgren.com

European Headquarters
Mekaanikontie 1
27510 Eura, Finland
Tel. +358 2 8383 300
Fax. +358 2 8651 233
info@ets-lindgren.eu.com

United Kingdom
Boulton Road, Pin Green Ind. Area,
Stevenage, Herts. SG1 4TH, UK
Tel. +44 1438 730 700
Fax. +44 1438 730 751
info@ets-lindgren.co.uk

Asian Headquarters
87 Beach Road, #06-02 Chye Sing
Building, Singapore 189695
Tel. +65 536 7078
Fax. +65 536 7093
lrfesin@singnet.com.sg